

3076 Full extension heavy duty slide
with lock in and lock out

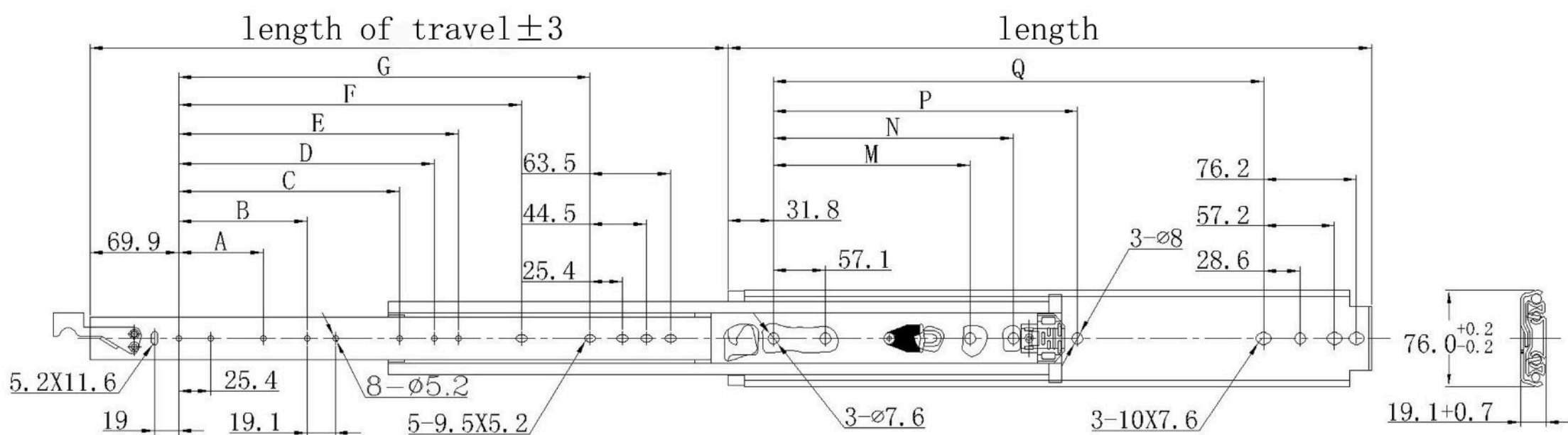
Load capacity: 225KG

Material: Q235

Inner member thickness: 2.5mm

Middle member thickness: 2.2mm

Outer member thickness: 2.5mm



GW3076-60	1524	1524	88.9	152.4	330.2	482.6	787.4	1274.8	1335	215.9	577.8	939.7	1403.3
GW3076-58	1473.2	1473.2	88.9	152.4	330.2	482.6	787.4	1224	1284.2	215.9	577.8	939.7	1352.5
GW3076-56	1422.4	1422.4	88.9	152.4	330.2	482.6	787.4	1173.2	1233.4	215.9		939.7	1301.7
GW3076-54	1371.6	1371.6	88.9	152.4	330.2	482.6	787.4	1122.4	1182.6	215.9		939.7	1250.9
GW3076-52	1320.8	1320.8	88.9	152.4	330.2	482.6	787.4	1071.6	1131.8	215.9	577.8	939.7	1200.1
GW3076-50	1270	1270	88.9	152.4	330.2		787.4	1020.8	1081	215.9	577.8	939.7	1149.3
GW3076-48	1219.2	1219.2	88.9	152.4	330.2		787.4	970	1030.2	215.9	577.8	939.7	1098.5
GW3076-46	1168.4	1168.4	88.9	152.4	330.2			919.2	979.4	215.9	552.4	889	1047.7
GW3076-44	1117.6	1117.6	88.9	152.4	330.2			868.4	928.6	215.9	527	838.2	996.9
GW3076-42	1066.8	1066.8	88.9	152.4	330.2	482.6	685.8	817.6	877.8	215.9	527	787.4	946.1
GW3076-40	1016	1016	88.9	152.4	330.2	482.6		766.8	827	215.9	476.2	736.6	895.3
GW3076-38	965.2	965.2	88.9	152.4		482.6		716	776.2	215.9	450.8	685.8	844.5
GW3076-36	914.4	914.4	88.9	152.4		482.6		665.2	725.4	215.9	425.4	635	793.7
GW3076-34	863.6	863.6	88.9	152.4		431.8		614.4	674.6	215.9	400	584.2	742.9
GW3076-32	812.8	812.8	88.9	152.4				563.6	623.8	215.9	374.6	533.4	692.1
GW3076-30	762	762	88.9	152.4	330.2			512.8	573	215.9		482.5	641.3
GW3076-28	711.2	711.2	88.9	152.4				462	522.2				590.5
GW3076-26	660.4	660.4	88.9	152.4				411.2	471.4				539.7
GW3076-24	609.6	609.6	88.9					360.4	420.6				488.9
GW3076-22	558.8	558.8	88.9					309.6	369.8				438.1
GW3076-20	508	508						258.8	319				387.3
GW3076-18	457.2	457.2						208	268.2				336.5
GW3076-16	406.4	406.4							217.4				285.7
GW3076-14	355.6	355.6							166.6				234.9
Item No.	length	length of travel	A	B	C	D	E	F	G	M	N	P	Q