

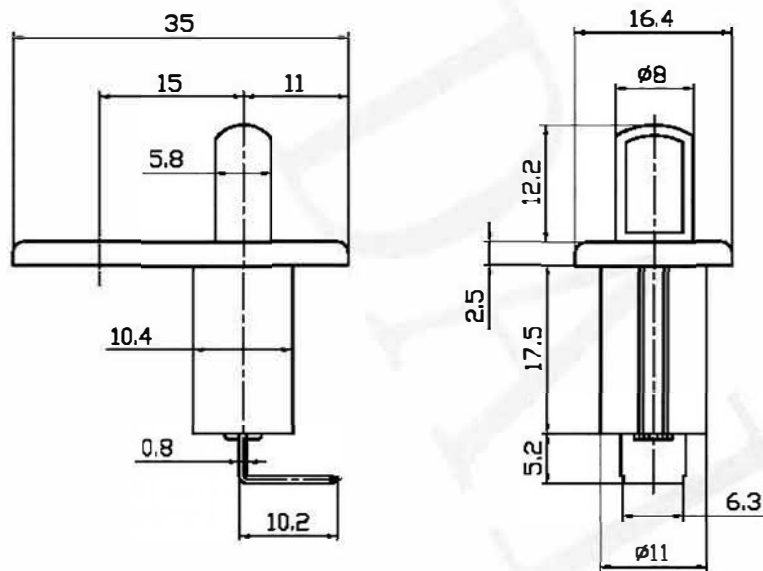
Automobile Switch

Model:ASW-18

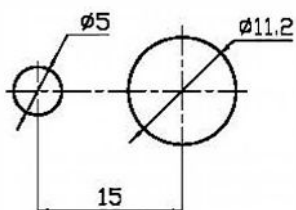
Specification

1. Rating:20A 12V DC
2. Contact R:50m Ω max
3. Insulation R:500V DC 100M Ω min
4. dielectric Strength:1 Minute 1500V AC
5. Operating Temperature:-25 $^{\circ}$ C~+85 $^{\circ}$ C
6. Electrical Life:10, 000 Cycles

(Outline Drawing)



(Mounting)



(Circuitry)

