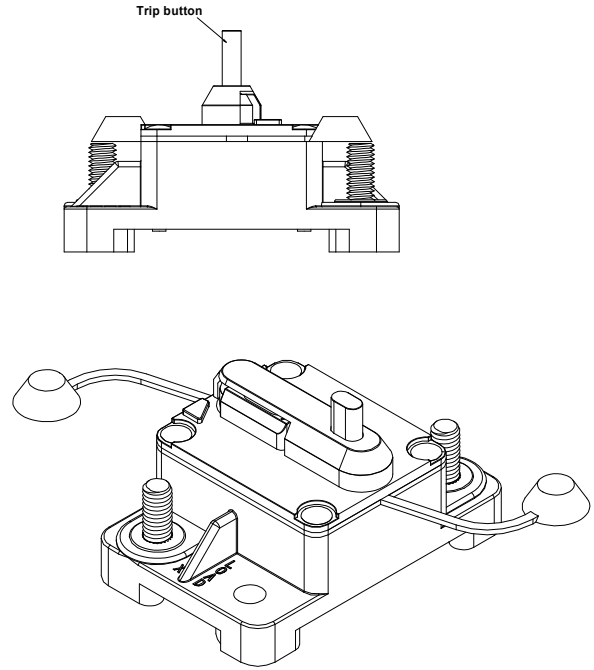
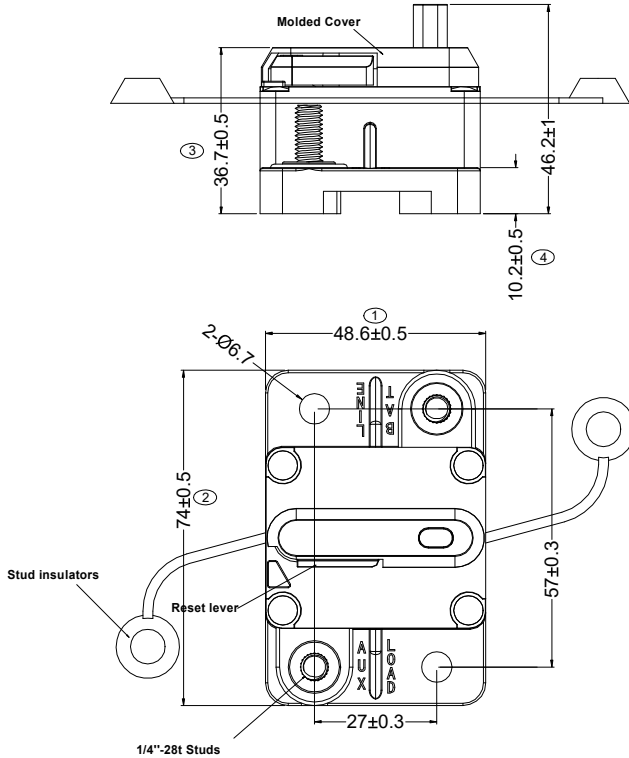


设备用断路器 **Circuit Breakers for Equipment**
16系列



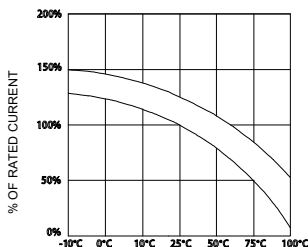
TOLERANCE		UNIT: MM		
DIMENSION	TOLERANCE	单重:		
≤10	±0.3	REV	A/0	
>10	±0.5			
PART NO.		16-8F-XXX-SRE-21		

备注: ⊗ 为重点控制尺寸。

Technical data

Rating:30-150A,32VDC.
Interrupt Rating:2,500A/32VDC.
Operating Temperature Rating:-30°C to 90°C.
Storage Temperature Rating:-30°C to 130°C.
Materials:UL-Rated 94V-0 Thermosetting plastics body.
Tin-plated copper alloy terminals. Nickel-plated copper alloy stud.
Insulation Resistance:500VDC>100MΩ.
Dielectric Strength:1800V 1 minute.
Stud: 10N.m MAX.
Mounting hole: 6N.m MAX.

Temperature Derating Curves

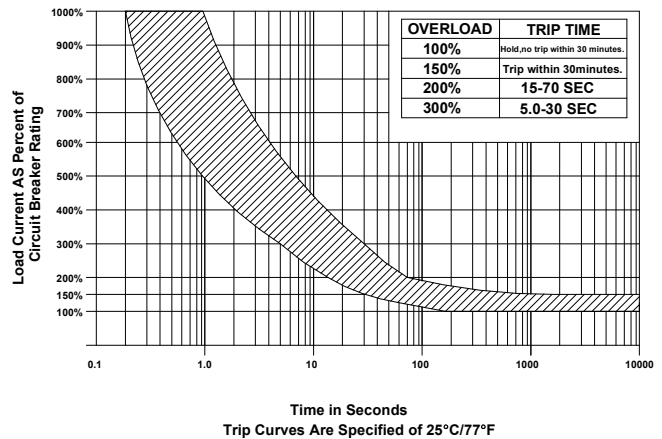


The time/current characteristic curve depends on the ambient temperature prevailing. In order to eliminate nuisance tripping. Please multiply the current breaker current ratings by the derating factor shown below.

Ambient Temperature	-10°C	0°C	10°C	25°C	40°C	50°C	60°C	75°C	90°C
Multiplication Factor	1.25	1.15	1.05	1.00	0.95	0.90	0.85	0.80	0.70

时间-电流特性曲线 (+25°C)

Trip Time Curves



批准: _____ 日期: _____ 审核: _____ 日期: _____ 拟制: PXC 日期: 2025.12.31