

3051 Full extension slide

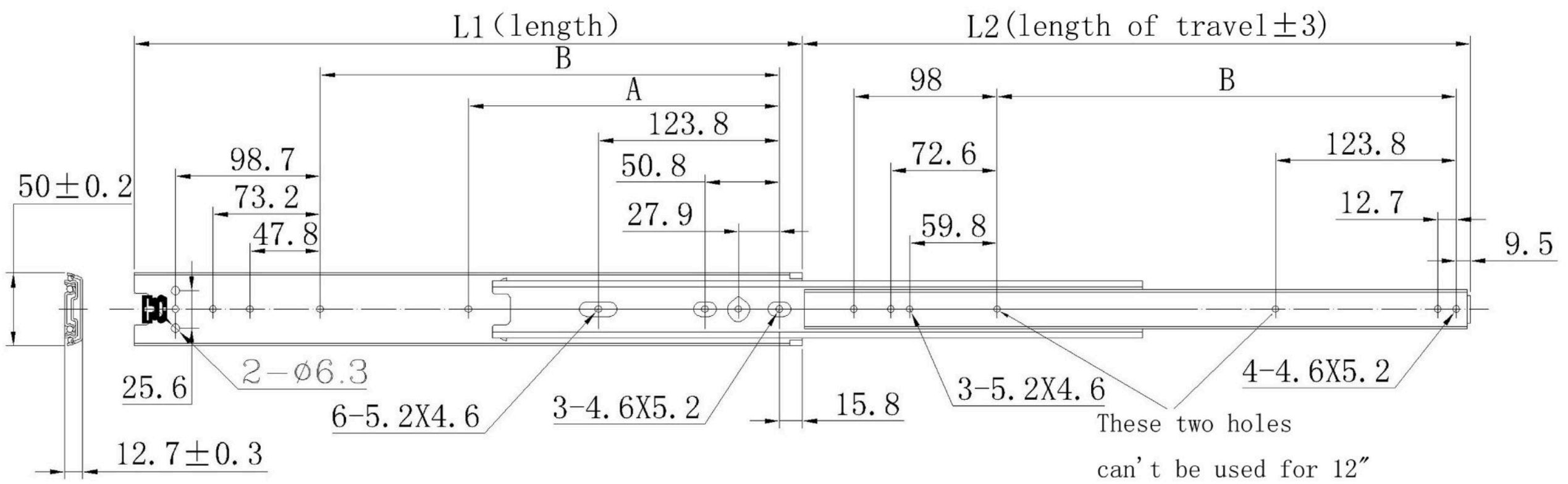
Load capacity: 68KG

Material: Q235

Inner member thickness: 1.5mm

Middle member thickness: 1.2mm

Outer member thickness: 1.5mm



GW3051-30	762	762	365	619.2
GW3051-28	711.2	711.2	339.6	568.4
GW3051-26	660.4	660.4	314.2	517.6
GW3051-24	609.6	609.6	288.8	466.8
GW3051-22	558.8	558.8	263.4	416
GW3051-20	508	508	238	365.2
GW3051-18	457.2	457.2	212.6	314.4
GW3051-16	406.4	406.4		263.6
GW3051-14	355.6	355.6		212.8
GW3051-12	304.8	304.8		162
Item No.	L1	L2	A	B