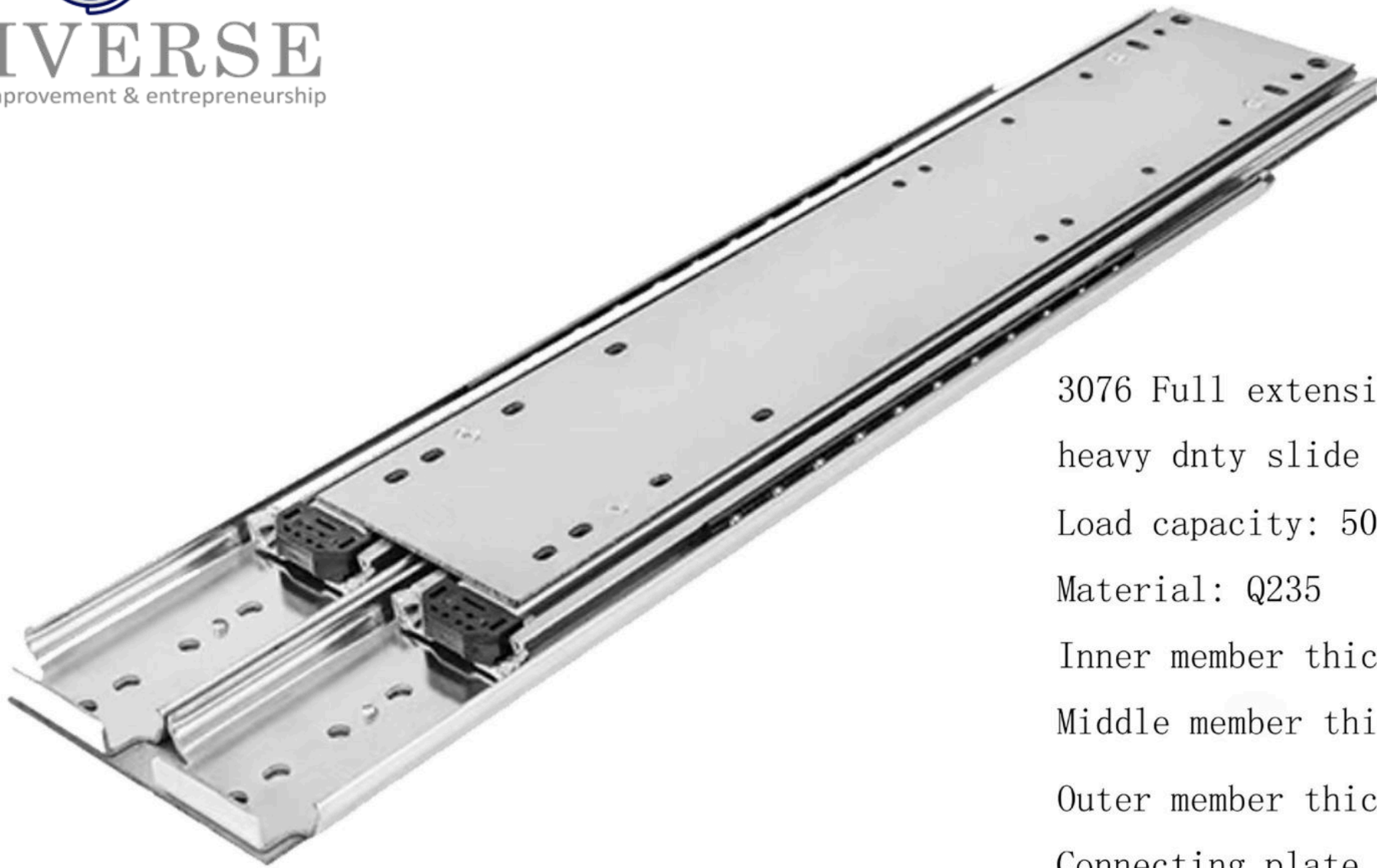




**BDIVERSE**

Supply chain improvement & entrepreneurship



3076 Full extension double deck heavy duty slide

Load capacity: 500KG

Material: Q235

Inner member thickness: 2.5mm

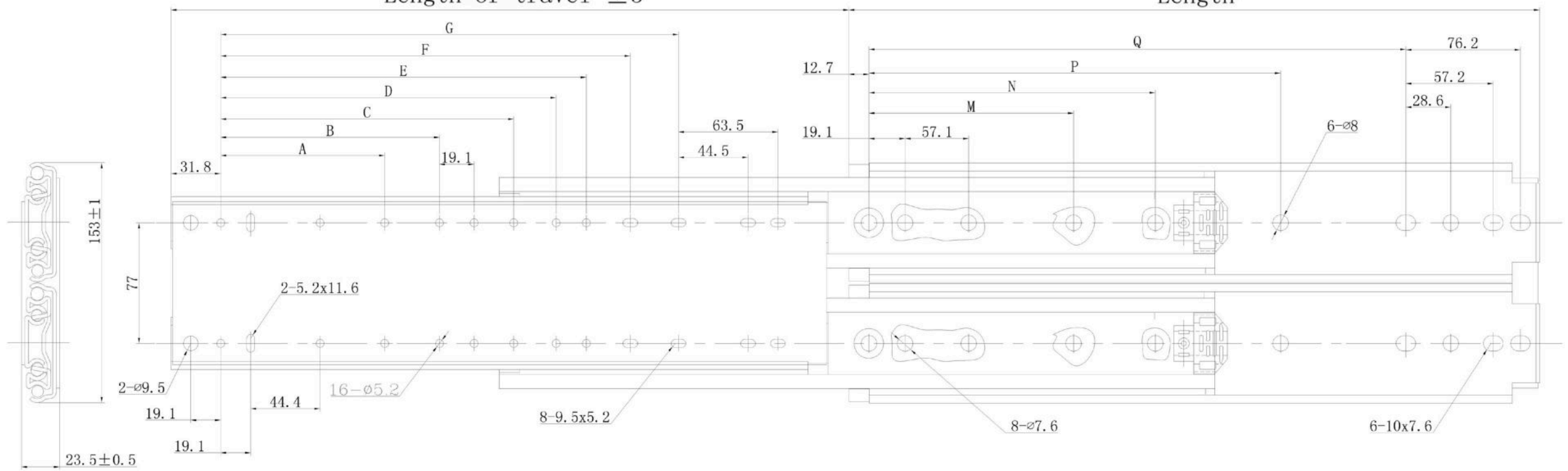
Middle member thickness: 2.2mm

Outer member thickness: 2.5mm

Connecting plate thickness: 2mm

Length of travel  $\pm 3$

Length



GW3076-60	1524	1524	127	190.5	368.3	520.7	825.5	1312.9	1373.1	235	596.9	958.8	1422.4
GW3076-58	1473.2	1473.2	127	190.5	368.3	520.7	825.5	1262.1	1322.3	235	596.9	958.8	1371.6
GW3076-56	1422.4	1422.4	127	190.5	368.3	520.7	825.5	1211.3	1271.5	235	596.9	958.8	1320.8
GW3076-54	1371.6	1371.6	127	190.5	368.3	520.7	825.5	1160.5	1220.7	235	596.9	958.8	1270
GW3076-52	1320.8	1320.8	127	190.5	368.3	520.7	825.5	1109.7	1169.9	235	596.9	958.8	1219.2
GW3076-50	1270	1270	127	190.5	368.3	520.7	825.5	1058.9	1119.1	235	596.9	958.8	1168.4
GW3076-48	1219.2	1219.2	127	190.5	368.3	520.7	825.5	1008.1	1068.3	235	596.9	958.8	1117.6
GW3076-46	1168.4	1168.4	127	190.5	368.3	520.7		957.3	1017.5	235	571.5	908.1	1066.8
GW3076-44	1117.6	1117.6	127	190.5	368.3	520.7		906.5	966.7	235	546.1	857.3	1016
GW3076-42	1066.8	1066.8	127	190.5	368.3	520.7	723.9	855.7	915.9	235	546.1	806.5	965.2
GW3076-40	1016	1016	127	190.5	368.3	520.7		804.9	865.1	235	495.3	755.7	914.4
GW3076-38	965.2	965.2	127	190.5	368.3	520.7		754.1	814.3	235	469.9	704.9	863.6
GW3076-36	914.4	914.4	127	190.5	368.3	520.7		703.3	763.5	235	444.5	654.1	812.8
GW3076-34	863.6	863.6	127	190.5	368.3	469.9		652.5	712.7	235	419.1	603.3	762
GW3076-32	812.8	812.8	127	190.5	368.3			601.7	661.9	235	393.7	552.5	711.2
GW3076-30	762	762	127	190.5	368.3			550.9	611.1	235		501.6	660.4
GW3076-28	711.2	711.2	127	190.5				500.1	560.3				609.6
GW3076-26	660.4	660.4	127	190.5				449.3	509.5				558.8
GW3076-24	609.6	609.6	127	190.5				398.5	458.7				508
GW3076-22	558.8	558.8	127	190.5				347.7	407.9				457.2
GW3076-20	508	508	127	190.5				296.9	357.1				406.4
GW3076-18	457.2	457.2	127					246.1	306.3				355.6
GW3076-16	406.4	406.4	127						255.5				304.8
GW3076-14	355.6	355.6							204.7				254
Item No.	length	length of travel	A	B	C	D	E	F	G	M	N	P	Q